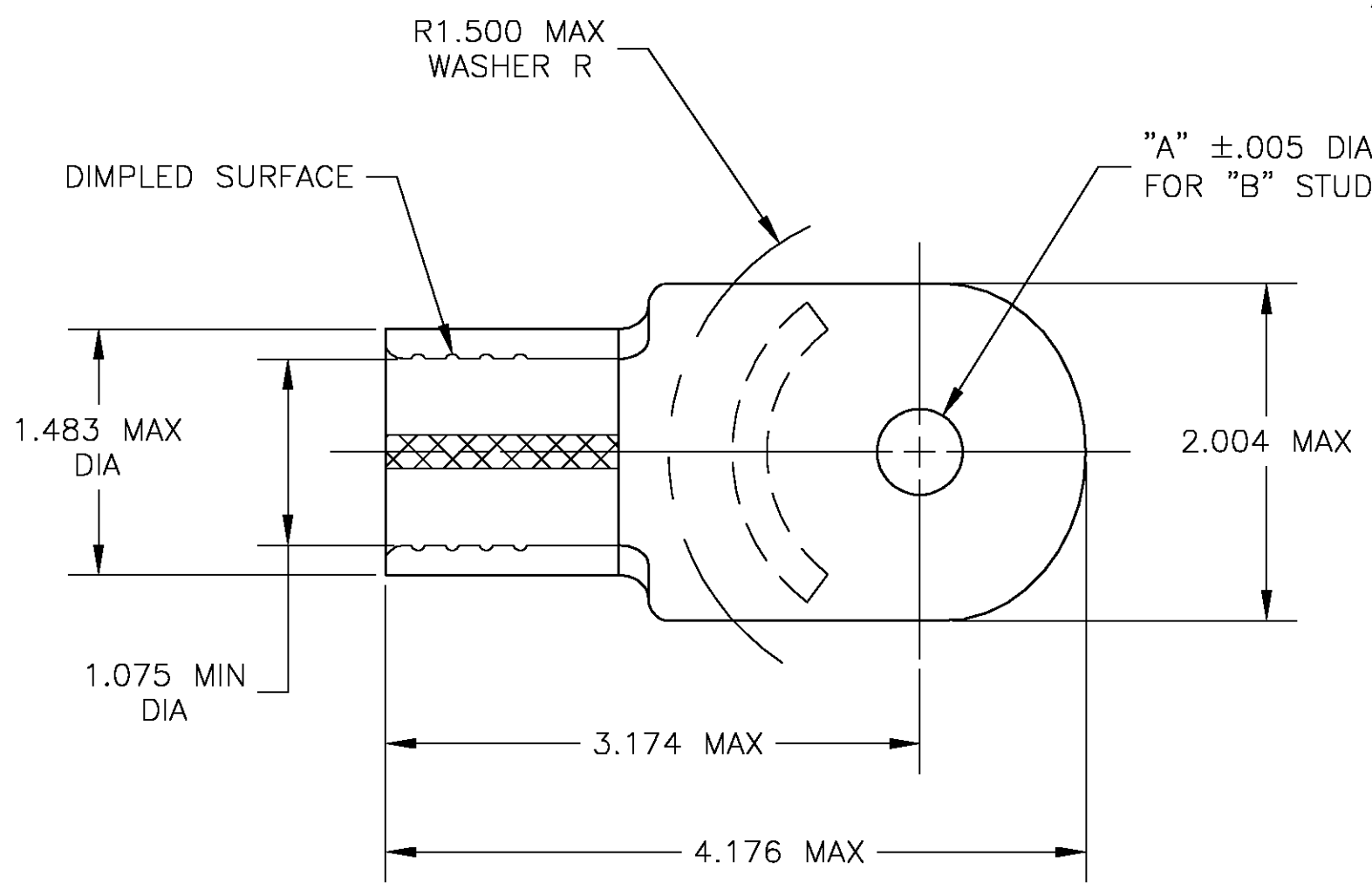


THIS DRAWING IS UNPUBLISHED. RELEASED FOR PUBLICATION
 © COPYRIGHT BY TYCO ELECTRONICS CORPORATION. ALL RIGHTS RESERVED.

LOC	DIST	REVISIONS			
P	LTR	DESCRIPTION	DATE	DWN	APVD
G	14				
	D	REV PER 0G3A-0294-04	16APR04	JR	MS

- 1 TONGUE MATERIAL THICKNESS IS $.178 \pm .004$
- △2 COPPER PER ASTM B-152, ANNEALED
- △3 TIN PLATE PER ASTM B-545



OBSOLETE	5/8	.656	2-322773-1
	1/2	.515	322773
	"B"	"A"	PART NO

THIS DRAWING IS A CONTROLLED DOCUMENT.		DWN jr_ruth 16APR04	Tyco Electronics Corporation Harrisburg, PA 17105													
DIMENSIONS: INCHES		CHK MJ SPICER 16APR04	NAME													
TOLERANCES UNLESS OTHERWISE SPECIFIED:		APVD MJ SPICER 16APR04	WIRE TERMINAL SOLISTRAND, RING TONGUE, WIRE SIZE: 500-600 MCM													
<table border="1"> <tr><td>0 PLC</td><td>± -</td></tr> <tr><td>1 PLC</td><td>± -</td></tr> <tr><td>2 PLC</td><td>± -</td></tr> <tr><td>3 PLC</td><td>± .008</td></tr> <tr><td>4 PLC</td><td>± -</td></tr> <tr><td>ANGLES</td><td>± 5'</td></tr> </table>		0 PLC	± -	1 PLC	± -	2 PLC	± -	3 PLC	± .008	4 PLC	± -	ANGLES	± 5'	PRODUCT SPEC	SIZE	CAGE CODE
0 PLC	± -															
1 PLC	± -															
2 PLC	± -															
3 PLC	± .008															
4 PLC	± -															
ANGLES	± 5'															
MATERIAL - △2		APPLICATION SPEC	DRAWING NO	RESTRICTED TO												
FINISH - △3		WEIGHT -	A3 00779	C-322773												
CUSTOMER DRAWING			SCALE 1:1	SHEET 1 OF 1												